



EXPANSION CHANNEL (PNEUMATIC)

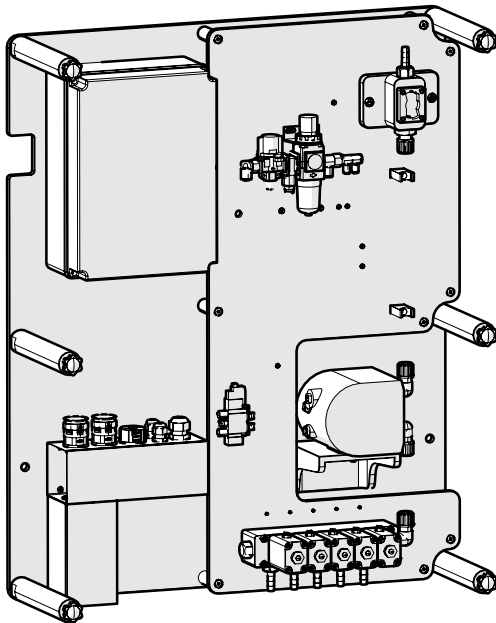
MULTIPLEX ACCESSORY

Description

Introducing our innovative Industrial Laundry Expansion Channel, designed to integrate seamlessly with our **Multiplex 1 Pro** or **Multiplex 2 Pro** dosing units.

Pneumatic Valves: The expansion channel is equipped with state-of-the-art pneumatic valves, providing reliable and precise control over the flow of water and detergents. This ensures optimum performance and efficient resource utilization in your laundry operations.

Configuration: Different options with 1, 2 or 4 products provide flexible solutions tailored to the different requirements of each laundry.



Technical Specifications

		Value
CONFIGURATION	Number of products	1
		2
		4
ELECTRIC PARAMETERS	Voltage	24 VDC
	Power	120W
AIR	Working pressure	4 bar
	Air intake	10 mm
	Average consumption	140 l/m
	Air entrainment	Optional
	Condensation filter	Integrated
PANELS	Material	PVC

Technical Specifications

		Value
PUMPS	Number	1 pump per channel. Main channel: Pneumatic double diaphragm pump
	Flow rate (with water)	5 litres/minute
	Body	PVDF
	Membranes	PTFE
	Non-return valves	PVDF/FFKM
PRODUCT/WATER VALVES	Voltage	24 VDC
	Air tube	4mm
	Body	PVDF
	Closure piston	PTFE
	O-rings	FKM
FLOW METERS	Standard measuring principle	Paddles + Hall effect sensor
	Signal	24 VDC PNP
	Body	PP
	Paddles	PVDF
	O-rings	FKM
	Alternative	*Oval gear not included. Supplied on request. Recommended with chemicals 180cP or higher.
CALIBRATION	Mode	Via distributor
	Measuring vase	Not included * recommended
WATER	Pressure in dynamic range	1.5 bar (min) - 3 bar (max) Regulator recommended
	Flow range	min 2l/m - 10l/m max
	Inlet connection	Barb 10mm
	Maximum temperature	< 30 ° C
	Required hardness	< 8°dH
	Booster tank	Not included. Supplied on request. Recommended.

Details

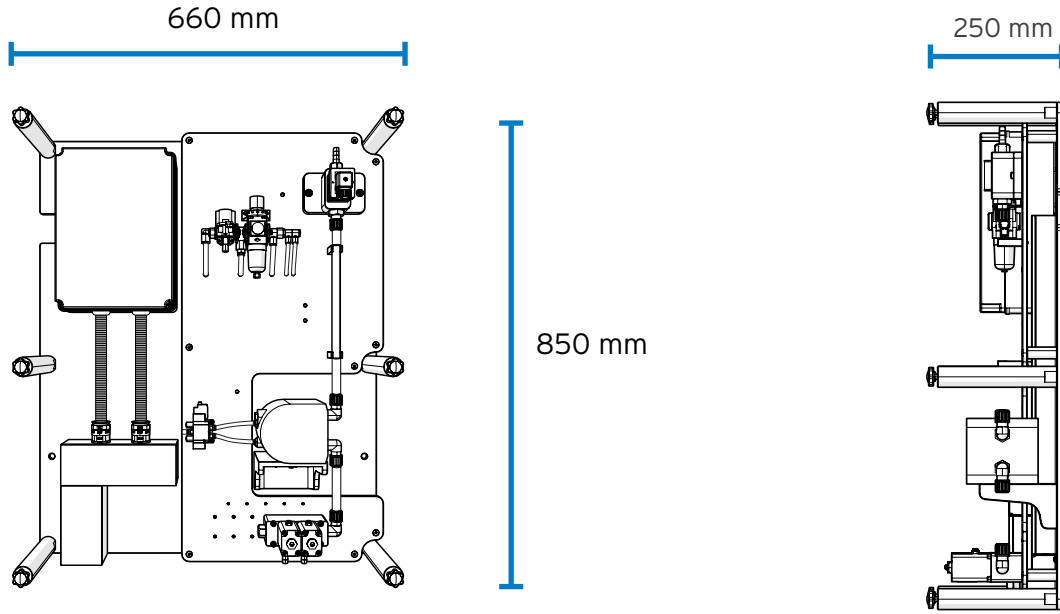
Part Code	Description	Width	Height	Depth
A500CHP01B5	MULTIPLEX - PNEUMATIC EXPANSION CHANNEL C1 5,0L	660 mm	850 mm	250 mm
A500CHP02B5	MULTIPLEX - PNEUMATIC EXPANSION CHANNEL C2 5,0L	660 mm	850 mm	250 mm
A500CHP04B5	MULTIPLEX - PNEUMATIC EXPANSION CHANNEL C4 5,0L	660 mm	850 mm	250 mm

T +44 (0) 1273 513566 E sales@brightwell.co.uk W brightwell.co.uk

Brightwell Dosing Ltd Unit 1, Rich Industrial Estate, Avis Way, Newhaven, East Sussex, BN9 0DU

All information in this data sheet is correct at the time of printing and is subject to change without notice.

Diagram

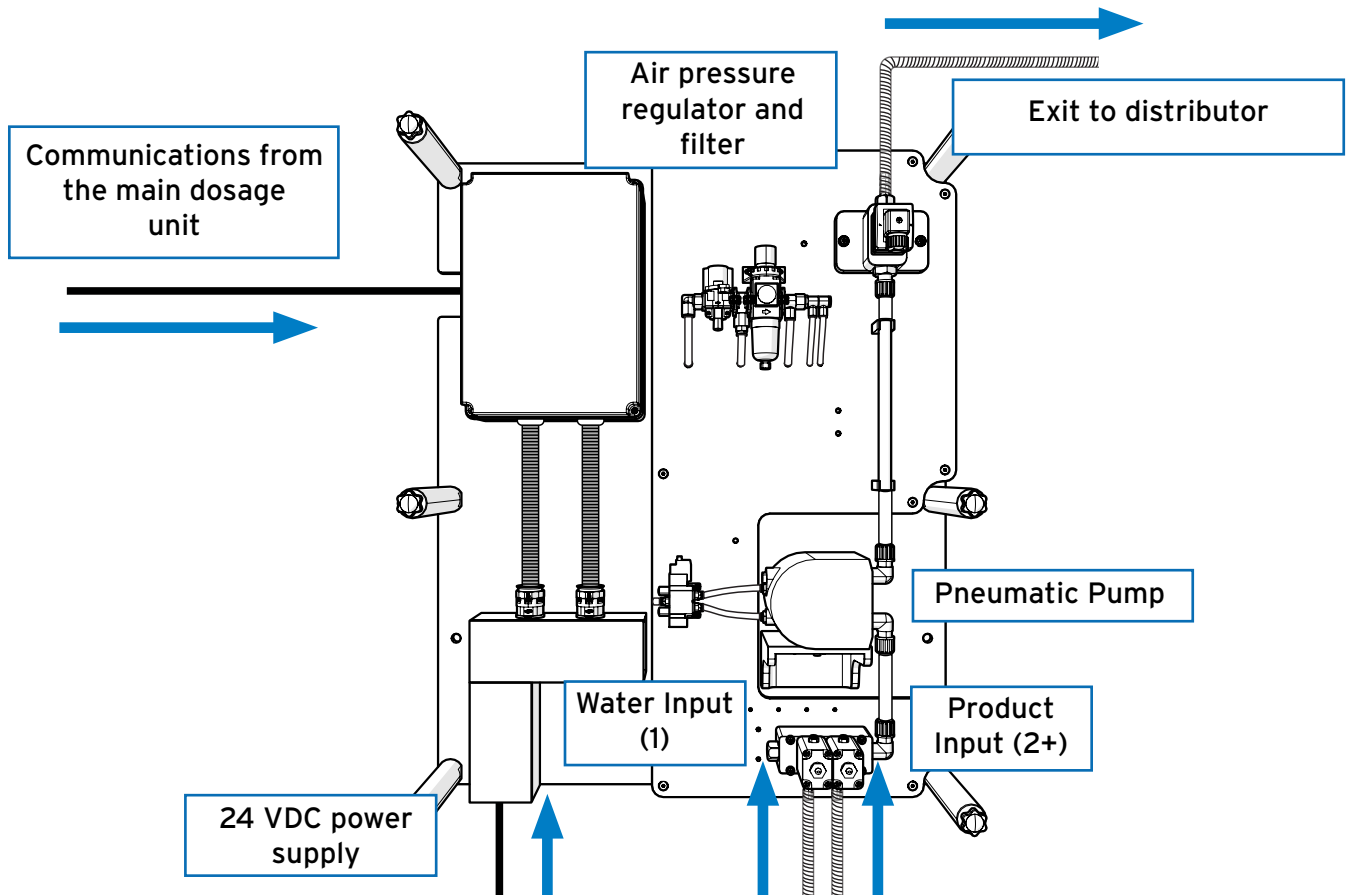


Dimensions

Width	660 mm
Height	850 mm
Depth	250 mm

Weight

Unit	18.60 kg (approx)
------	-------------------



T +44 (0) 1273 513566 E sales@brightwell.co.uk W brightwell.co.uk

Brightwell Dosing Ltd Unit 1, Rich Industrial Estate, Avis Way, Newhaven, East Sussex, BN9 0DU

All information in this data sheet is correct at the time of printing and is subject to change without notice.