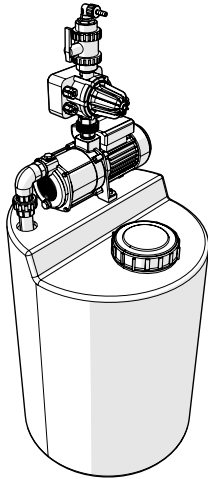




BOOSTER TANK MULTIPLEX ACCESSORY



Description

- Accessory for Multiplex dispensers, specifically designed to ensure a reliable water supply to our industrial laundry dosing equipment.
- Optional but recommended installation whenever the water pressure and supply does not meet the requirements of our dosing equipment.
- Optimised connection and operation with the Multiplex dosing unit, ensuring that the correct water pressure and flow rate are maintained at all times.
- Ensuring an adequate water supply is essential to guarantee the efficiency of the dosing process and optimise wash performance.

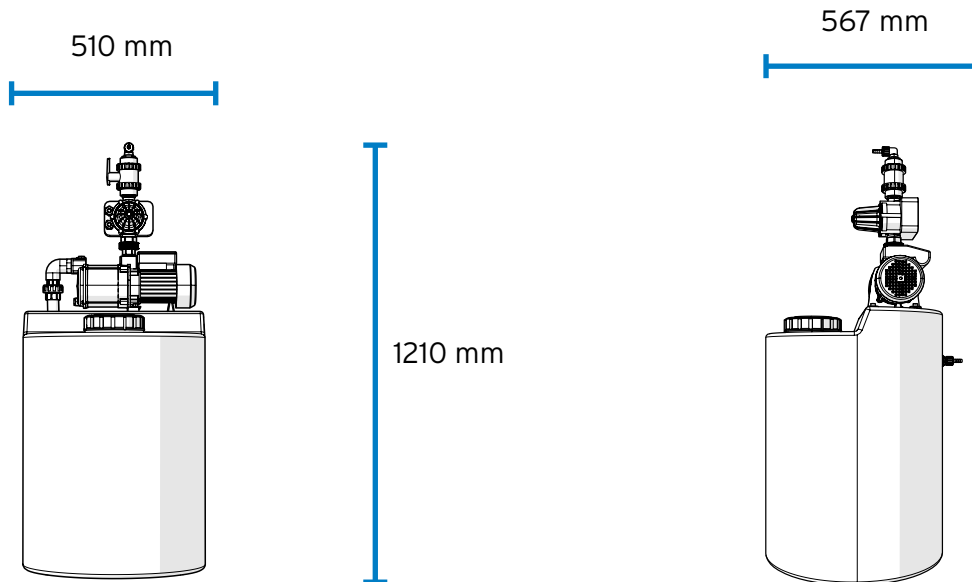
Technical Specifications

	Value
MATERIALS	Tank: Polyethylene Pump: Molten Iron, INOX and EDPM
CONNECTORS	Material: Brass and PVC Connector: 3/8" - Tubing 10mm
TANK CAPACITY	120L
PRESSURE RANGE	(Inlet) 1.5 bar - 4.5 bar (Outlet) - 3 bar regulated 10600L l/h (max)
POWER	230 VAC 0.5kW 4A

Details

Part Code	Description	Height	Diameter
A500B130L0.5CV	MULTIPLEX BOOSTER TANK	1210 mm	490 mm

Diagram



Dimensions (mm)

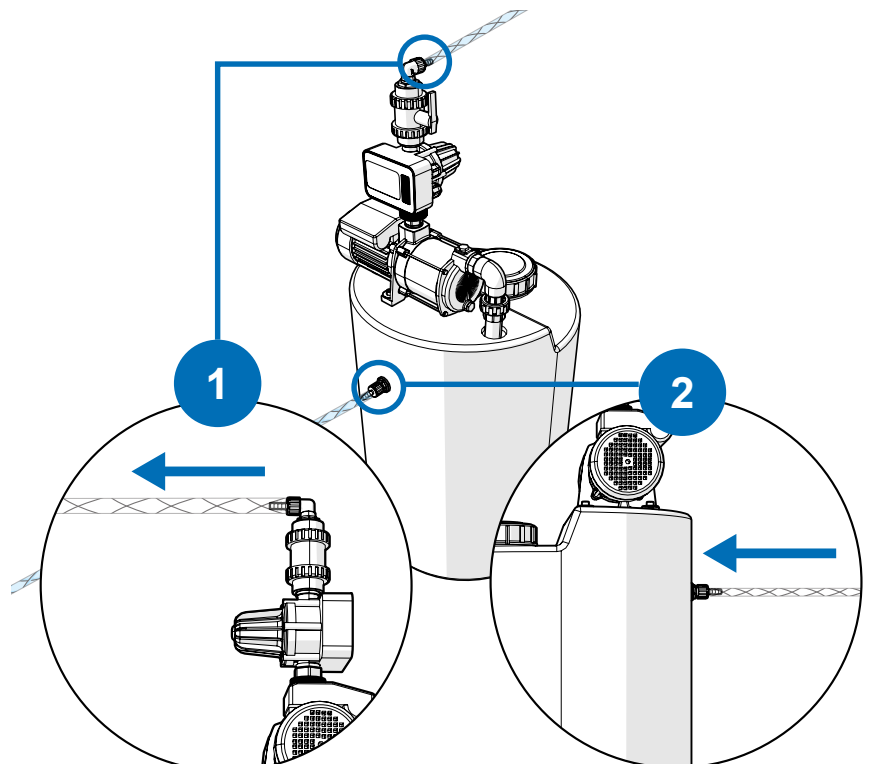
Width	Height	Depth
510	1210	567

Weight (No water)

20 kg (approx)

Connection

- 1 Water Outlet 10mm 3/8" (3 bar regulated)
- 2 Water Inlet 10mm 3/8"



T +44 (0) 1273 513566 E sales@brightwell.co.uk W brightwell.co.uk

Unit 9, Euro Business Park, Estate Road, Newhaven, East Sussex BN9 0DQ

All information in this data sheet is correct at the time of printing and is subject to change without notice.