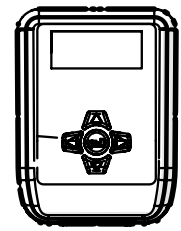
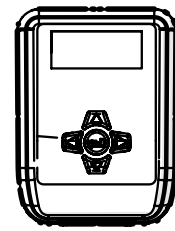


Multiplex 1



Multiplex 1 Pro



Multiplex 2 Pro
(Electric & Pneumatic)



Multiplex 1 Unit Spares

Control Cabinet	
Part Desc.	Part No.
Green switch 30x22mm 250VAC (Replacement)	SR00100076
Rodman mini-Buzzer 24VDC (Replacement)	SR00100078
Set of Yellow push button (MP1 Replacement)	SR00100079
RJ45 pass-through connector (EATON) Replacement	SR00100077
MW Power Supply 4.5A 24VDC 108W (Replacement)	SR00100080
TRS relay 24VDC 1 contact (Replacement for MP1)	SR00100068
IDPN breaker 1P+N C 6A (Replacement)	SR00100033
Weintek Expansion module 24 I- 16 O (Replacement)	SR00100034
Wifi antenna dual band and cable (Replacement)	SR00500005
Fuse holder connector set (Replacement)	SR001000255
Raspberry compute module on motherboard with flash replacement set	SB001000005
1m Grey UTP cable C-5E (Replacement)	SR00100035

Formula Select	
Part Desc.	Part No.
Multiplex series Formula Selector	A500FSMP

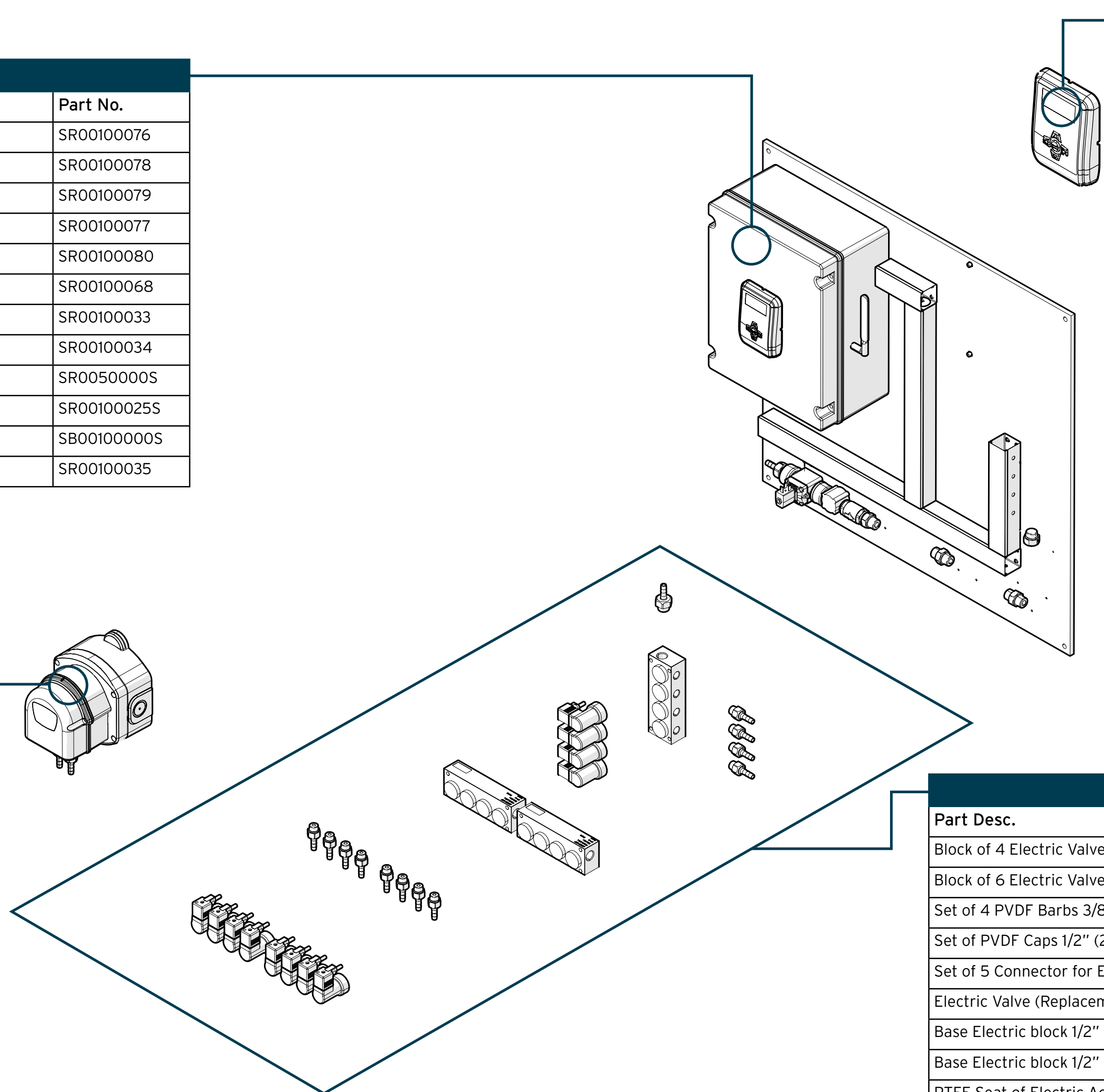
Tubing	
Part Desc.	Part No.
EVA Tube 10 x 16 (50mtr)	SC00900005
New Internal elbow PP for MP1 (Replacement)	SP007BW0122
Set of 2 PP Clamp for Tube PN16	SP007BW0030S

Flow Meter	
Part Desc.	Part No.
YF-S201 Flow meter (Replacement)	SR00300004
Amita Check valve 1/2" (Replacement)	SR00400007
Set of PP Reduction Fitting G1/2M-G1/2M	SR00900013

Pumps	
Part Desc.	Part No.
Brightlogic pump replacement set for MP1 units	SR50300004

Valves	
Part Desc.	Part No.
Block of 4 Electric Valves 1/2" (Replacement)	SR50300007
Block of 6 Electric Valves 1/2" (Replacement)	SR50300006
Set of 4 PVDF Barbs 3/8 T10	SP007BW0008S
Set of PVDF Caps 1/2" (2 units)	SP007BW0040
Set of 5 Connector for Electric Block Valves 24 VAC/DC 3mts	SR01300000S
Electric Valve (Replacement 9052)	SR50300008
Base Electric block 1/2" for 4 Valves (Base Block Replacement)	SR50300013
Base Electric block 1/2" for 6 Valves (Base Block Replacement)	SR50300014
PTFE Seat of Electric Actuator (Plug Closure)	SR50300011
Green Switch 30x22 mm 250 VAC (Replacement)	SR00100076
Black PP barb 1/2"-T10 (Replacement)	SP007BW0064
6228 Burkert EV(Replacement)	SR00300003

3 Way Valve	
Part Desc.	Part No.
PP 3-way Valve Panel	A5003WV



Multiplex 1 Pro Unit Spares

Control Cabinet	
Part Desc.	Part No.
Green switch 30x22mm 250VAC (Replacement)	SR00100076
Rodman mini-Buzzer 24VDC (Replacement)	SR00100078
Set of Yellow push button (MPI Replacement)	SR00100079
RJ45 pass-through connector (EATON) Replacement	SR00100077
MW Power Supply 4.5A 24VDC 108W (Replacement)	SR00100080
TRS relay 24VDC 1 contact (Replacement for MPI)	SR00100068
IDPN breaker 1P+N C 6A (Replacement)	SR00100033
Weintek Expansion module 24 I- 16 O (Replacement)	SR00100034
Weintek Output module (16 Tr O) (Replacement)	SR00100048
Wifi antenna dual band and cable (Replacement)	SR0050000S
Fuse holder connector set (Replacement)	SR00100025S
Raspberry compute module on motherboard with flash replacement set	SB00100000S
1m Grey UTP cable C-5E (Replacement)	SR00100035

Formula Select	
Part Desc.	Part No.
Multiplex series Formula Selector	A500FSMP

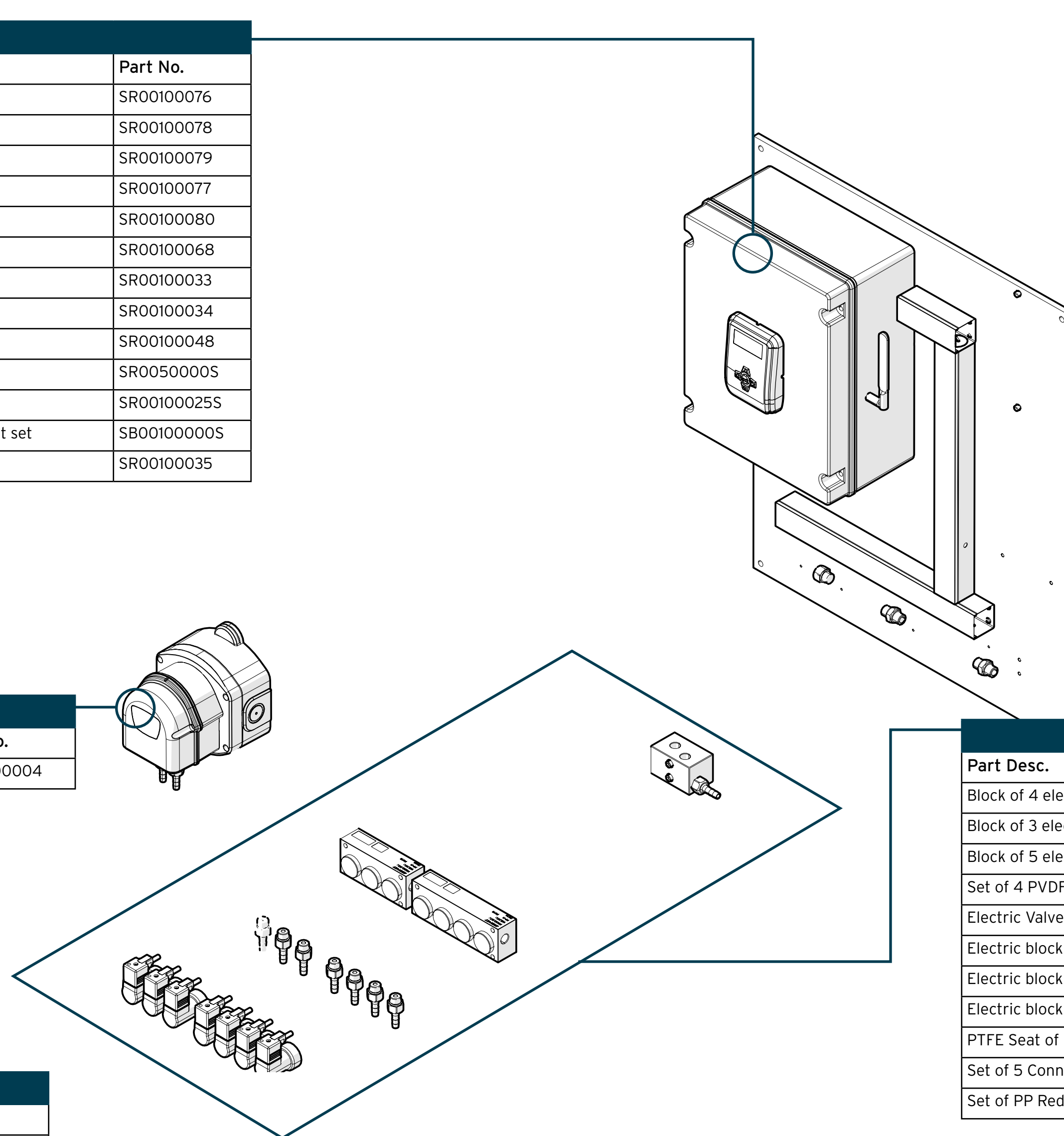
Flow Meter	
Part Desc.	Part No.
PNP Hall effect flow sensor SE30	SR00300002
Paddle wheel for flow meter SE30	SR00300001
Set for the SE30 Flow meter base	SP007BW0007S

Tubing	
Part Desc.	Part No.
EVA Tube 10 x 16 (50mtr)	SC00900005
PP Internal elbow symmetric (Replacement)	SP007BW0010
Set of 2 PP Clamp for Tube PN16	SP007BW0030S

Pumps	
Part Desc.	Part No.
Brightlogic pump replacement set for MP1 units	SR50300004

Valves	
Part Desc.	Part No.
Block of 4 electric valves (Replacement block 3/8)	SR50300002
Block of 3 electric valves (Replacement block 3/8)	SR50300005
Block of 5 electric valves (Replacement block 3/8)	SR50300001
Set of 4 PVDF Barbs 3/8 T10	SP007BW0008S
Electric Valve (Replacement 9052)	SR50300008
Electric block 3/8" for 4 valves (Base block replacement)	SR50300009
Electric block 3/8" for 3 valves (Base block replacement)	SR50300012
Electric block 3/8" for 5 valves (Base block replacement)	SR50300010
PTFE Seat of Electric Actuator (Plug Closure)	SR50300011
Set of 5 Connector for Electric block Valves 24VAC/DC 3mts	SR01300000S
Set of PP Reduction Fitting G3/8M-G3/8M (2 units Replacement)	SR00900012

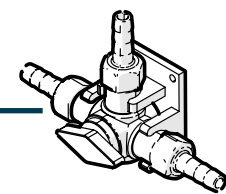
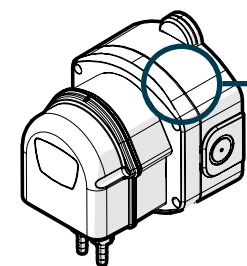
3 Way Valve	
Part Desc.	Part No.
PP 3-way Valve Panel	A5003WV



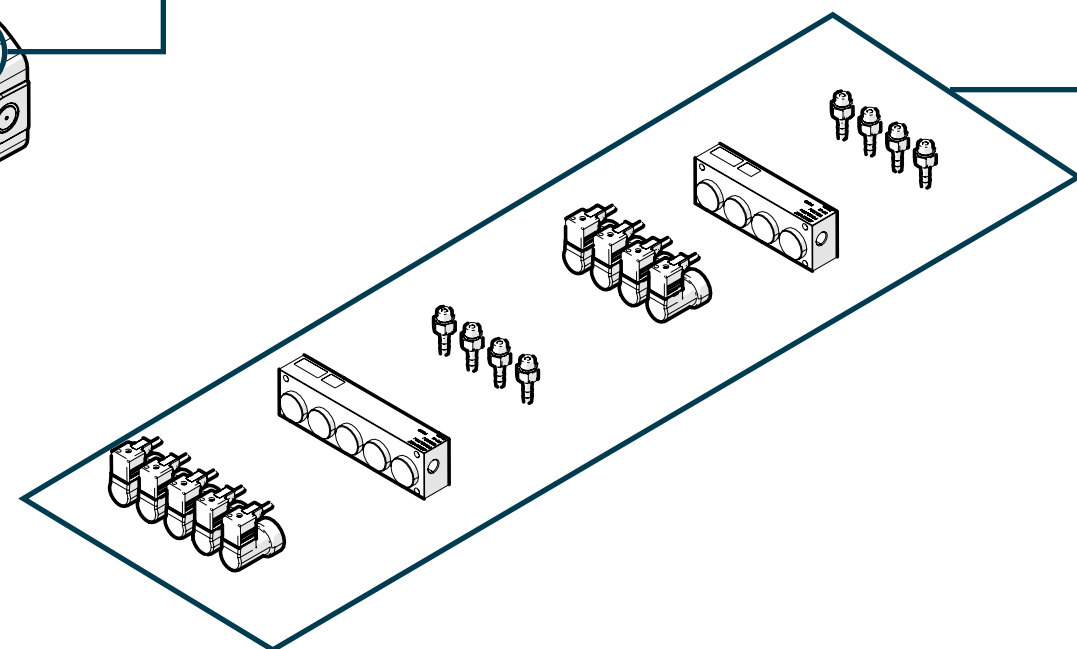
Multiplex 2 Pro (Electric) Unit Spares

Control Cabinet	
Part Desc.	Part No.
Raspberry compute module on motherboard with flash replacement set	SB00100000S
Weintek 3072xH2 HMI replacement	SR00100000
Rodman Buzzer 24VCC replacement	SR00100001
Emergency stop push-button replacement	SR00100002
Push-buttons set replacement	SR00100000S
Fuse holder connector set replacement	SR00100025S
Weidmuller PRO ECO Power Supply 5A replacement	SR00100032
IDPN breaker 1P+N C 6A replacement	SR00100033
Weintek Expansion module 24 I- 16 O replacement	SR00100034
Weintek Output module (8 R O) replacement	SR00100067
Wifi antenna dual band and cable replacement	SR0050000S
Main switch 230V 11.5A replacement	SR00100045
RJ45 pass-through connector replacement MP2	SR00100016
1m Grey UTP cable C-5E replacement	SR00100035
2m Grey UTP cable C-5E replacement	SR00100036
TRS relay 24VDC 1 contact (Replacement)	SR00100068

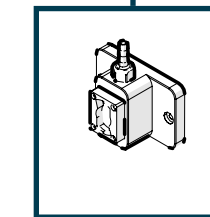
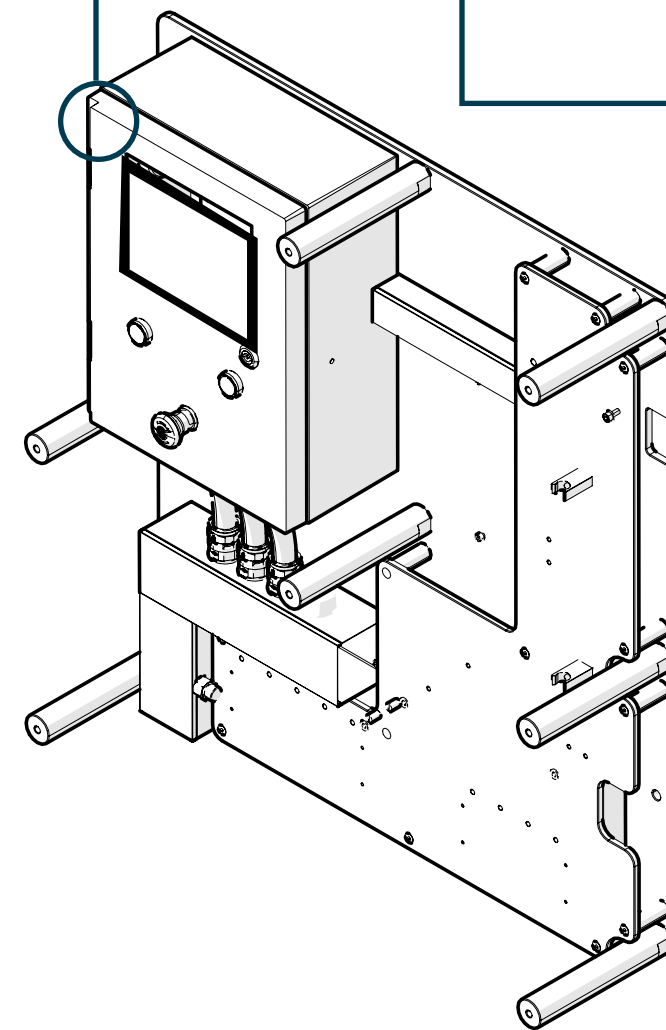
Pumps	
Part Desc.	Part No.
Brightlogic pump replacement set for MP2 units	SR50300000



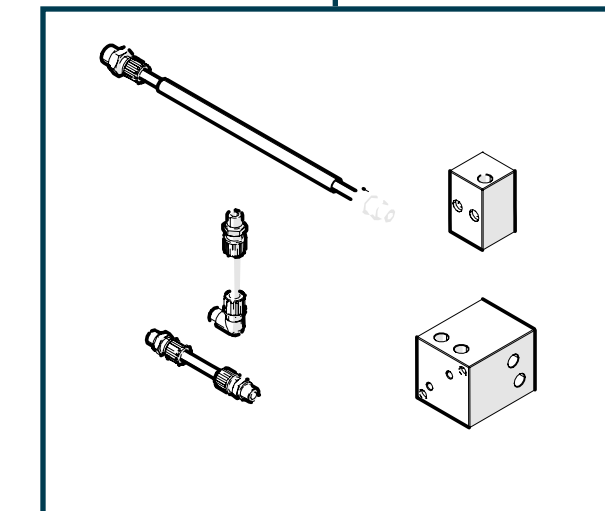
3 Way Valve	
Part Desc.	Part No.
PP 3-way Valve Panel	A5003WV



Flow Meter	
Part Desc.	Part No.
PNP Hall effect flow sensor SE30	SR00300002
Paddle wheel for flow meter SE30	SR00300001
Set for the SE30 Flow meter base	SP007BW0007S



Tubing & Connectors	
Part Desc.	Part No.
PP Internal elbow symmetric (Replacement)	SP007BW0010
PP Internal Block parallel (Replacement)	SP007BW0011
Set of 2 PP Clamp for Tube PN16	SP007BW0030S
Set of 4 straight PP fittings 3/8 - T10-12	SR00900005S
Set of 4 Elbow PP Fitting 3/8 T10-12	SR00900006S
1m PTFE Tube (10x12)	SC00900000



Valves	
Part Desc.	Part No.
Block of 4 electric valves (Replacement block 3/8)	SR50300002
Block of 5 electric valves (Replacement block 3/8)	SR50300001
Set of 4 PVDF Barbs 3/8 T10	SP007BW0008S
Set of 4 PVDF Cap G3/8	SP007BW0009S
Set of 5 Connector for Electric Block Valves 24 VAC/DC 3mts	SR01300000S
Electric Valve (Replacement 9052)	SR50300008
Electric block for 4 valves (Base block replacement)	SR50300009
Electric block for 5 valves (Base block replacement)	SR50300010
PTFE Seat of Electric Actuator (Plug Closure)	SR50300011

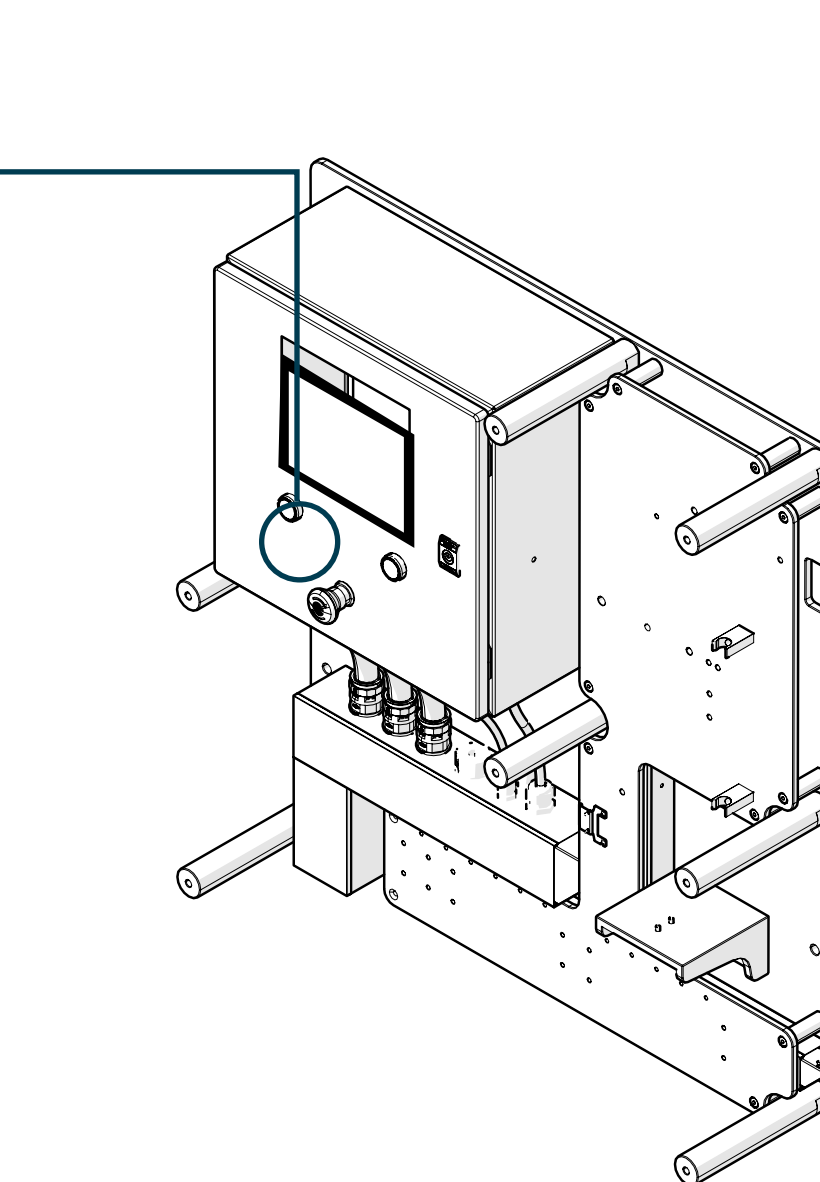


Multiplex 2 Pro (Pneumatic) Unit Spares

Control Cabinet	
Part Desc.	Part No.
Weidmuller Ethernet switch 5ports replacement	SR00100031
Weintek Ouput module (16 Tr O) replacement	SR00100048
Piloting electro valve manifold 13V. Replacement	SR00200010
Pass through air connector T.8 Replacement	SR00200002
Pass through air connector T.10 replacement	SR00200003
Cap for air fitting T8 replacement	SR00200004
RJ45 pass-through connector replacement MP2	SR00100016
Raspberry compute module on motherboard with flash replacement set	SB00100000S
Weintek 3072xH2 HMI replacement	SR00100000
Rodman Buzzer 24VCC replacement	SR00100001
Emergency stop push-button replacement	SR00100002
Push-buttons set replacement	SR00100000S
Fuse holder connector set replacement	SR00100025S
Weidmuller PRO ECO Power Supply 5A replacement	SR00100032
IDPN breaker 1P+N C 6A replacement	SR00100033
Weintek Expansion module 24 I- 16 O replacement	SR00100034
1m Grey UTP cable C-5E replacement	SR00100035
2m Grey UTP cable C-5E replacement	SR00100036
Main switch 230V 11.5A replacement	SR00100045
Wifi antenna dual band and cable replacement	SR0050000S

3 Way Valve	
Part Desc.	Part No.
PP 3-way Valve Panel	A5003WV

Pumps	
Part Desc.	Part No.
PA3313 SMC pump replacement set	SR50200000
5-Way valve support for pneumatic pump replacement set	SR50200001
Set of shelf for Pneumatic pump PA3313 (replacement)	SP007BW0004



Flow Meter	
Part Desc.	Part No.
PNP Hall effect flow sensor SE30	SR00300002
Paddle wheel for flow meter SE30	SR00300001
Set for the SE30 Flow meter base	SP007BW0007S
Oval gear flow meter 1/4"	SR00300000

Tubing & Connectors	
Part Desc.	Part No.
1m PTFE Tube (10x12)	SC00900000
Set of 4 Elbow PP Fitting 3/8 T10-12	SR00900006S
Set of 2 PP Clamp for Tube PN16	SP007BW0030S
Set of PP Reduction Fitting G1/2M-G1/2M	SR00900013
Set of 4 straight PP fittings 3/8 - T10-12	SR00900005S

Air	
Part Desc.	Part No.
Air regulator filter set for MP2	SP00200000
Set of 2 Straight Air Fittings 1/4 - T6	SR00200009S
Pass through air connector T.8 Replacement	SR00200002
Pass through air connector T.10 replacement	SR00200003
Cap for air fitting T8 replacement	SR00200004
Set of 8 Straight Air Fittings 1/8 - T4	SR00200005S
Set of 2 Straight Air Fittings 1/4 - T6	SR00200009S

Valves	
Part Desc.	Part No.
Set of 4 PVDF Barbs 3/8 T10	SP007BW0008S
Set of 4 PVDF Cap G3/8	SP007BW0009S
Complete block of 4 pneumatic valves	SP007BW0014S
Complete block of 5 pneumatic valves	SP007BW0015S
Complete block of 6 pneumatic valves	SP007BW0016S
Pneumatic valve G3/8 LVC30B-00-4-X73 With seat for replacement	SR50200004
Set of 8 Straight Air Fittings 1/8 - T4	SR00200005S
Pneumatic valve block for 4 valves (replacement)	SP007BW0014
Pneumatic valve block for 5 valves (replacement)	SP007BW0015
Pneumatic valve block for 6 valves (replacement)	SP007BW0016
Piloting electro valve manifold 13V. Replacement	SR00200010

