

Description

- Expansion Channel for Industrial Laundry Tunnel - CBW, Continuous Batch Washers
- Enhanced Modular Capacity: Enables the addition of 2 extra channels to accommodate a higher number of injection points.
Floor-mounted Expansion: Seamlessly integrates with existing systems, maintaining a compact footprint.
- Enhanced Safety: Additional built-in safety features ensure extended protection for laundry operators across more equipment.
- Reliability: Includes comprehensive leak testing and chemical compatibility checks for new channels, ensuring secure and accurate dosing across a broader system.
- Continuous Operation: Expanded system designed to minimise maintenance needs, providing peace of mind for facility managers overseeing larger operations.
- Scalable and Tailored: Configurable options to adapt to a wider range of laundry processes and premises sizes,
- Customisable elements to align with corporate branding.

Technical Specifications

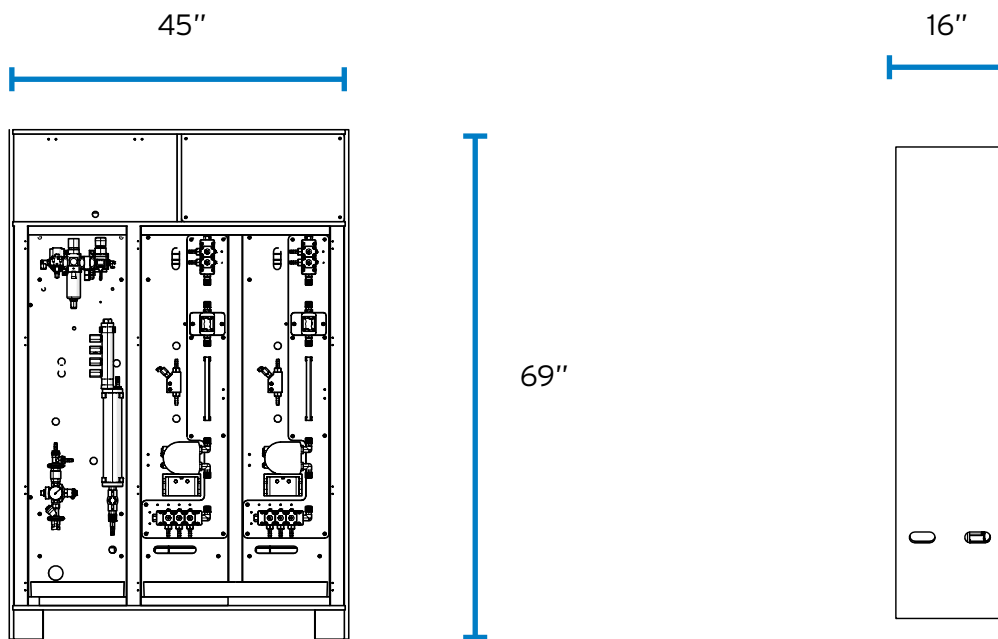
		Value
ELECTRIC PARAMETERS	Voltage/Frequency	110-240 VAC / 50-60Hz
	Power	120W
AIR	Working pressure	58 PSI
	Air intake	3/8" barbed connector
	Average consumption	4.9 cubic feet per minute
	Air entrainment	Optional
	Condensation filter	Integrated

Technical Specifications

		Value
PANELS	Material	PVC
	Number	1 pump per channel.
PUMPS		Electric or pneumatic double diaphragm pump
	Flow rate (with water)	170 fl oz/min Pneumatic (Approx)
	Body	PVDF
	Membranes	PTFE
	Non-return valves	PVDF/FFKM
PRODUCT/WATER VALVES	Voltage	24VDC
	Body	PP
	Closure piston	PTFE
	O-rings	FFKM
FLOW METERS	Standard measuring principle	Paddles + Hall effect sensor
	Signal	24 VDC PNP
	Body	PP
	Palettes	PVDF
	O-rings	FKM
	Alternatives	*Oval Gear not included. Supplied on request. Recommended with chemicals 180cP and above.
DOSING	Distribution	Internal distributor per channel
	Outlet barb diameter	3/8"
	Outlet barb material	PVDF
	Fittings (straight / elbows)	PP for 3/8" / 1/2" pipe
	Built-in tubes	PTFE (Teflon) 3/8" x 1/2" pipe
	Recommended pipes for installation	Reinforced PVC 3/8" x 5/8"
CALIBRATION	Mode	Via internal distributor
	Measuring vase	Included
FORMULAS	Number	200
	Dose units	g/kg fl.oz/cw
	Maximum number of doses per module	8

	Value	
WATER	Pressure in dynamic range	1.5 bar (min) - 3 bar (max) Regulator included
	Flow rate range	min 2/l per min - max 10/l per min
	Input connection	Barb 10mm
	Maximum temperature	< 30 ° C
	Required hardness	< 8°dH
	Booster tank	Not included. Supplied on request. Recommended.

Diagram



Dimensions

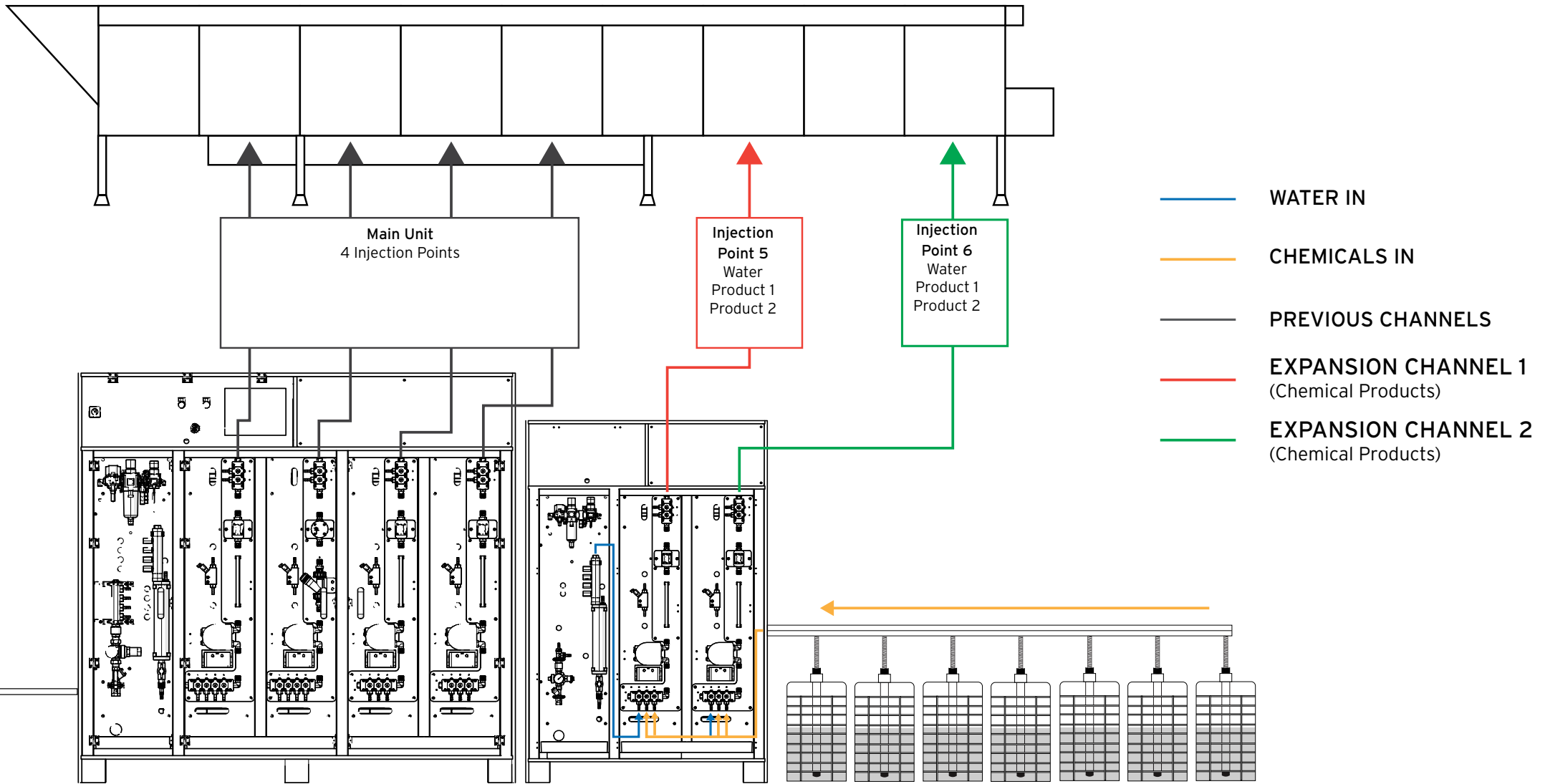
Width	45"
Height	69"
Depth	16"

T (+1) 913-956-4909 E sales@brightwell-inc.com W brightwell-inc.com/

Brightwell Dispensers Inc. 9858 Britton Street, Lenexa, KS, 66219

All information in this data sheet is correct at the time of printing and is subject to change without notice.

Example of setup



T (+1) 913-956-4909 E sales@brightwell-inc.com W brightwell-inc.com/

Brightwell Dispensers Inc. 9858 Britton Street, Lenexa, KS, 66219

All information in this data sheet is correct at the time of printing and is subject to change without notice.

Revision 1.0
02/2025
B1103US